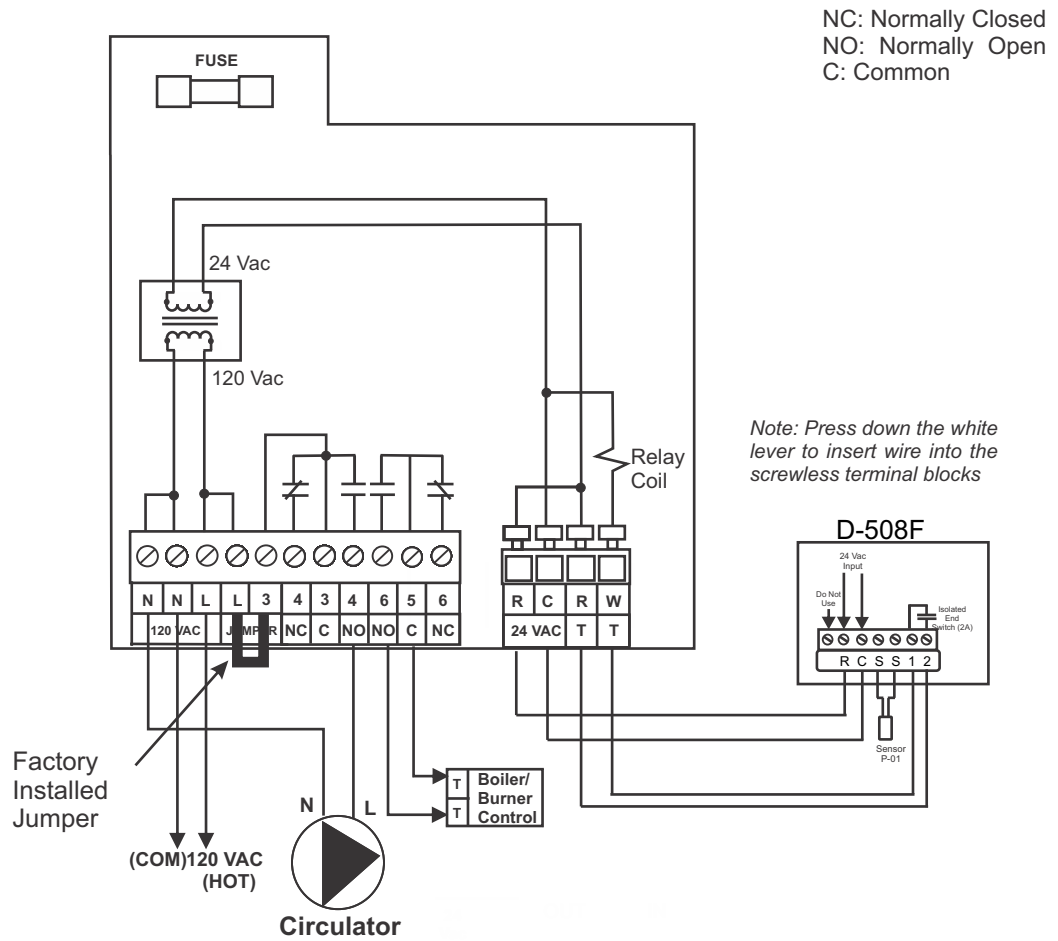


TYPICAL WIRING DIAGRAM FOR AZEL SP-81 TO D-508F FLOOR HEATING THERMSOTAT



P.O. Box 53138
 10 Royal Orchard Blvd.
 Thornhill, Ontario, Canada L3T 7R9
 Ph: 905-223-5567 Fax: 905-223-3778
 Email: info@azeltec.com