

# Digital Thermostat D-138

Go digital today with our new line of Digital Thermostats!



Azel Technologies introduces a thermostat that utilizes the latest digital technologies. The D-138 thermostat is a stand-alone microprocessor based thermostat with large LCD display that takes the guess work out of reading the temperature. The D-138 maintains highly accurate temperature control without the programming hassle. The thermostat is designed to control room temperature by way of on/off controlling the heating and cooling equipments. The setpoint is displayed and can be changed easily by pressing up or down arrow button. Also, its unique "spinning-switch" dial allows instant setpoint change of  $\pm 3^{\circ}\text{F}$  as quick as a flash. This simple to use accurate thermostat will replace most round, square or rectangular thermostats. D-138 is environmentally safe, mercury-free which requires no leveling, so there's no hassle, and no special disposal requirements.

Replace your inaccurate, old fashioned thermostats today with more accurate digital and easy to read D-138.

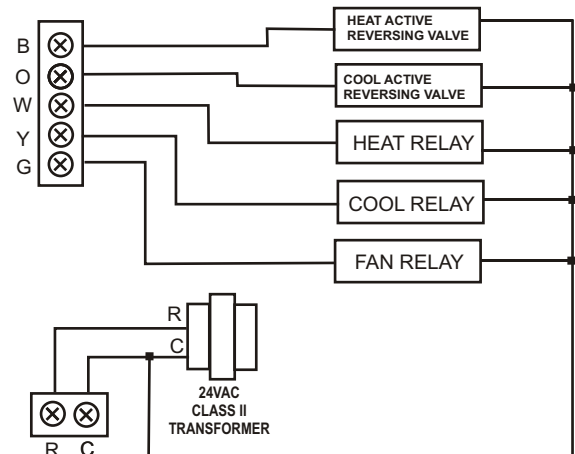
## FEATURES:

- Low Voltage (24 VAC) Systems
- Manual Temperature Setback  $\pm 3^{\circ}\text{F}$
- Reliable Digital Electronic Accuracy
- Fan Switch
- Heat/Cool/Off Switch
- EEPROM for Setting Backup
- Contains NO Mercury, environmentally safe
- Accurate Universal Replacement
- No Leveling Required
- Only 2 wires needed to power thermostat, no need to change battery in the future
- Display in  $^{\circ}\text{F}$  or  $^{\circ}\text{C}$  (Factory Preset)
- Heat Icon displays when calling for heat
- Built-in Digital Control System

## SPECIFICATIONS:

- Display Format: Liquid Crystal Display(LCD)
- Power Supply: 24 Vac, 50-60Hz
- Contact Rating: 10A Resistive(3A Inductive)
- Sampling Rate: 1 Minute
- Accuracy:  $\pm 1^{\circ}\text{F}$ ( $0.6^{\circ}\text{C}$ )
- Switch Differential:  $0.5$  to  $2.0^{\circ}\text{F}$
- Load Rating: 1 Amp maximum total load
- Temperature Control Range:  $40$ - $95^{\circ}\text{F}$ ( $5$ - $35^{\circ}\text{C}$ )
- Resolution:  $0.1^{\circ}\text{F}$
- Dimensions:  $2\text{-}7/8"$  H x  $2\text{-}7/8"$  W x  $1\text{-}1/8"$  D

## WIRING DIAGRAM:



**AZEL TECHNOLOGIES INC.**

P.O. Box 53138  
10 Royal Orchard Blvd.  
Thornhill, Ontario, Canada L3T 7R9  
Ph: 905-764-8809 Fax: 905-764-4738  
Email: info@azeltec.com