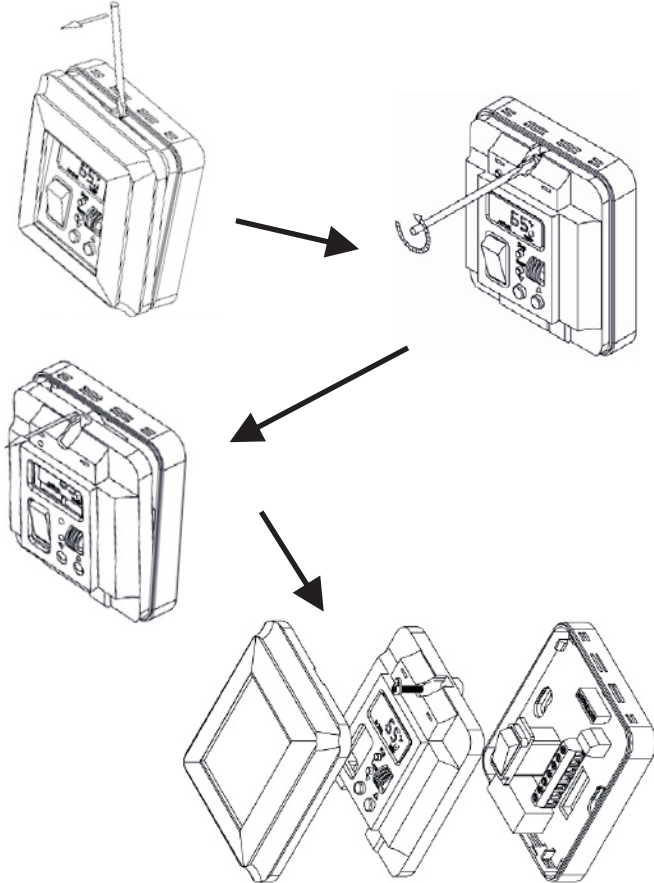


# INSTRUCTION MANUAL

## Digital Non-Programmable Radiant Floor Heating Thermostat D-26FS

### Installation

1. Look for a location which has a constant temperature in the house and it is no near the door entry of heater or air conditioning outlet.
2. Open top housing with a screwdriver as illustrations below :



3. Mount the base with the wire through the holes on the base and tighten the base with screw. Distance between two mounting holes is 54 mm.
4. Follow the wiring diagram on Figure 1. Insert the wires into the terminal block and use a screwdriver to tighten the screw on top of the terminal block. Before wiring, you **MUST** check your system-wiring diagram. If your system is other than this type, please consult with your local dealer or a professional electrician.
5. Put the front cover back to the base and turn on the main power for operation.

### WIRING DIAGRAM:

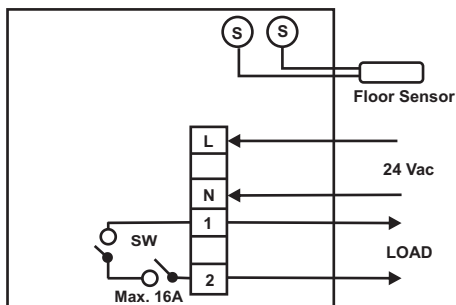
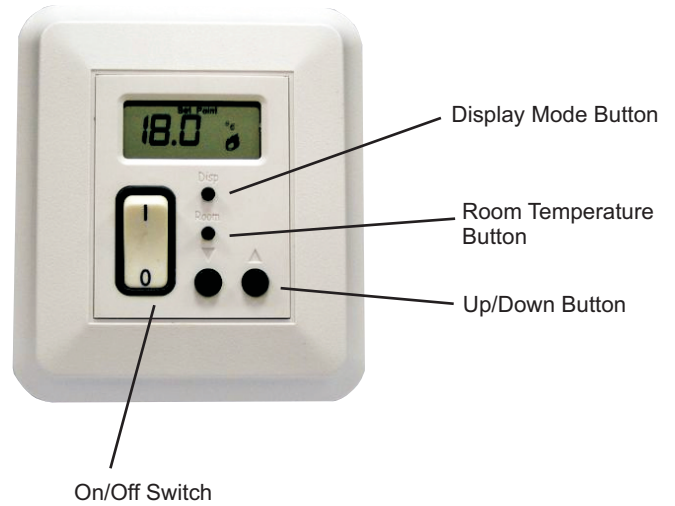


Figure 1



On/Off Switch

### Setting and Operation

1. When D-26F is powered up, the LCD display is altering between the floor sensor temperature and setpoint temperature. Press **Disp** button once to display just the floor sensor temperature. Press **Disp** button to toggle between these two display modes.
2. Press **Room Temperature** button to display current room temperature. After 10 seconds, the display will switch back to the current display mode as set in step 1.
3. The On/Off switch can be used to shut-off relay output.(for model with On/Off switch). "1" symbol: On,"0" symbol: Off.
4. Press both **Up** and **Down** buttons at the same time for 10 seconds to enter **Differential Adjustment Mode**. Then press **Up** or **Down** button to set the desired differential. There are 4 selections for differential value: 0.5/1.0/1.5/2.0 for both °F and °C. Default is 1.0
5. Press **Up** or **Down** button to set the desired floor temperature. After 10 seconds, the display will switch back to the current display mode. The Flame icon becomes solid when there is a demand for heat and the relay is energized. When the demand is satisfied, the Flame icon is flashing.
6. °F or °C mode is selectable by changing the jumper position on PCB as shown in figure 2.

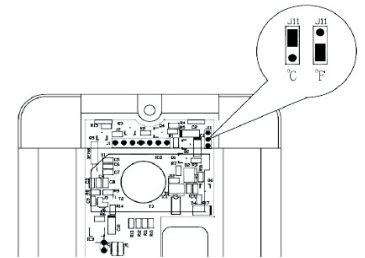


Figure 2

### SPECIFICATIONS:

- Display Format: Liquid Crystal Display(LCD) with Backlighting
- Floor Temperature Control Range: 41-122°F(5-50°C)
- Temperature Display Range: 32-140°F(0-60°C)
- Contact Rating: 16A
- Power Supply: 24 Vac, 50-60Hz
- Sampling Rate: 1 Minute
- Accuracy: ±1°F
- Switching Differential: 0.5/1.0/1.5/2.0 °F/°C
- Dimension: 91.5 x 80.3 x 30 mm
- Resolution: 0.1°F

**AZEL** TECHNOLOGIES INC.

For more product information, please visit:

[www.azeltec.com](http://www.azeltec.com)

P.O. Box 53138  
10 Royal Orchard Blvd.  
Thornhill, Ontario, Canada L3T 7R9  
Ph: 905-223-5567 Fax: 905-223-3778  
Email: [info@azeltec.com](mailto:info@azeltec.com)