

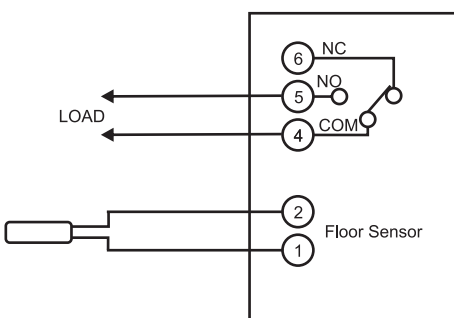
Non-Programmable Universal Dual Sensors Radiant Floor Thermostat: D-28F



FEATURES:

- Large LCD display
- Dual sensor control modes:
Mode A: Room sensor for Heating/Cooling.
Mode F: Floor sensor with maximum and minimum limits
Mode AF: Room sensor and Floor sensor combined to control the ambient temperature and maintains the floor temperature within the desired maximum limit
- Battery operated
- Freeze protection
- Contains NO Mercury, environmentally safe
- Two wire type thermostat
- Selectable display in °F or °C
- EEPROM for setting backup
- On/Off switch to shut off relay output
- Supplied with 10ft. floor sensor
- Easy Comfort or Economy Setpoint Selection buttons

WIRING DIAGRAM:



D-28F digital thermostat is specifically designed for Radiant Floor Heating Systems. It is so flexible that it can be used to control either air temperature (A Mode) or floor temperature (F Mode) or a combination of air temperature with floor temperature limits (AF Mode). An auxiliary remote sensor is provided to measure slab temperature in order to control the floor temperature within desired maximum and minimum limits.

SPECIFICATIONS:

- Display Format: Liquid Crystal Display(LCD)
- Operate power : Battery 1.5 VDC AA x 2 with Battery-Low indicator & protection
- Selectable display in °F or °C
- Temperature control range: Room: 40-95°F(5-35°C)
- Floor Temperature Control Range: 40-113°F(5-45°C)
- Temperature Display Range: 14-122°F(-10-50°C) with accuracy $\pm 0.2^\circ\text{F}$ (0.1°C). Note: No decimal indicator above 100°F
- Maximum Floor Temperature Limit.(F & AF Mode): 68-113°F(20-45°C) Default: 85°F(29°C)
- Minimum Floor Temperature Limit(F Mode only): 40-68°F(5-20°C) Default: 59°F(15°C)
Note: In AF Mode, only Maximum Limit is available
- Contact Rating: 10A
- Floor limits switching differential: 4°F(2°C). Factory Preset (not user adjustable).
- Freeze protection: factory preset. In effect when thermostat is OFF by Power Button.
A & AF Mode 40°F(5°C). F Mode: 50°F(10°C)
- Shortest cycle rate protection: 3 minutes (time of delay start), effects in cool-mode only
- Switching Differential: A/AF Mode: 0.4/0.8/1.2/1.6/2°F, 0.2/0.4/0.6/0.8/1°C Default: 0.8°F/0.4°C. F Mode: 1.2/2/4/6°F, 0.6/1/2/3°C Default: 2°F/1°C
- Dimension: 125W x 90Hx 35D mm
- Material: Non flammable plastic

AZEL TECHNOLOGIES INC.

For more product information, please visit:
www.azeltec.com

P.O. Box 53138
10 Royal Orchard Blvd.
Thornhill, Ontario, Canada L3T 7R9
Ph: 905-223-5567 Fax: 905-223-3778
Email: info@azeltec.com